



# Iowa District Royal Ranger 2010 Pow Wow June 4-6, 2010

To be held at the Sunstream Retreat Center  
1130 Juneberry Rd, Ogden, IA  
(A/G Campground between Boone and Ogden, IA)



**Camp fee: \$20 each**

**Campers from chartered Outposts will receive a free Pow Wow T-shirt**

Open to ALL Discovery, Adventure, Expedition Rangers and Commanders

**NOTE that this POW WOW is in June and is Friday evening through Sunday afternoon. This will allow more boys to participate (no school absence necessary) and leaders may need less time away from work. Let's take our boys camping and provide the opportunity for a great spiritual experience.**

# 2010 Pow Wow SCHEDULE

## FRIDAY, June 4, 2010

- 12:00 noon Registration opens (Please register as you arrive at camp)
  - Noon - 8:30 pm Work in your campsite - prepare campsite area and enjoy your evening meal
  - 9:00 pm Evening Assembly (**EVERYONE MUST ATTEND**)
- Reminder: **PLEASE** do not drive vehicles into or past the Council Fire area during scheduled Assemblies
- 11:00 pm Bedtime (*All Quiet*)

## SATURDAY, June 5, 2010

- 6:30 am Reveille
- 7:00 am Breakfast (*at your campsite*)
- 9:00 am Devotions and Announcements (*everyone should attend @ Council Fire area*)
- 9:30 am FREE TIME (*work on Campsite, do Pioneering competition, Campsite Entryway, dessert cooking, wagon race prep, etc*)
- Expedition Rangers – Shooting Sports
- 9:30 – 10:00** SIGN UP FOR WAGON RACE
- 11:30 am Lunch (*at your campsite*)
- 1:15 pm Wagon Race (ONLY come at your registered time slot)
- Ziplines - **KEEP OFF WAGON RACE ROUTES**
- 4:30 pm All activities end
- 5:00 pm Dessert Contest Judged (*pre-register for judges to come to your campsite*)
- 6:00 pm Supper
- 8:30 pm Personnel Inspection (*Line up at the Council Fire entrance*)
- 9:00 pm Council Fire (**EVERYONE MUST ATTEND**)
- 11:00 pm Bedtime (*All Quiet*)

## SUNDAY, June 6, 2010

- 6:30 am Reveille
- 7:00 am Breakfast
- 9:00 am
  - Sunday Church Service (*everyone must attend @ Inspiration point*)
  - “Gold Rush” Demonstrations / Activity Trail (approx. 10:00)
  - Campsite Inspections Begin
  - Campsite Entryways Judged
  - Pioneering Craft Competition Judged (*pre-register for judges to come to your campsite*)
- 12:00 noon Lunch
- 2:00 pm Award ceremony and dismissal (estimated completion time 2:45 p.m.)

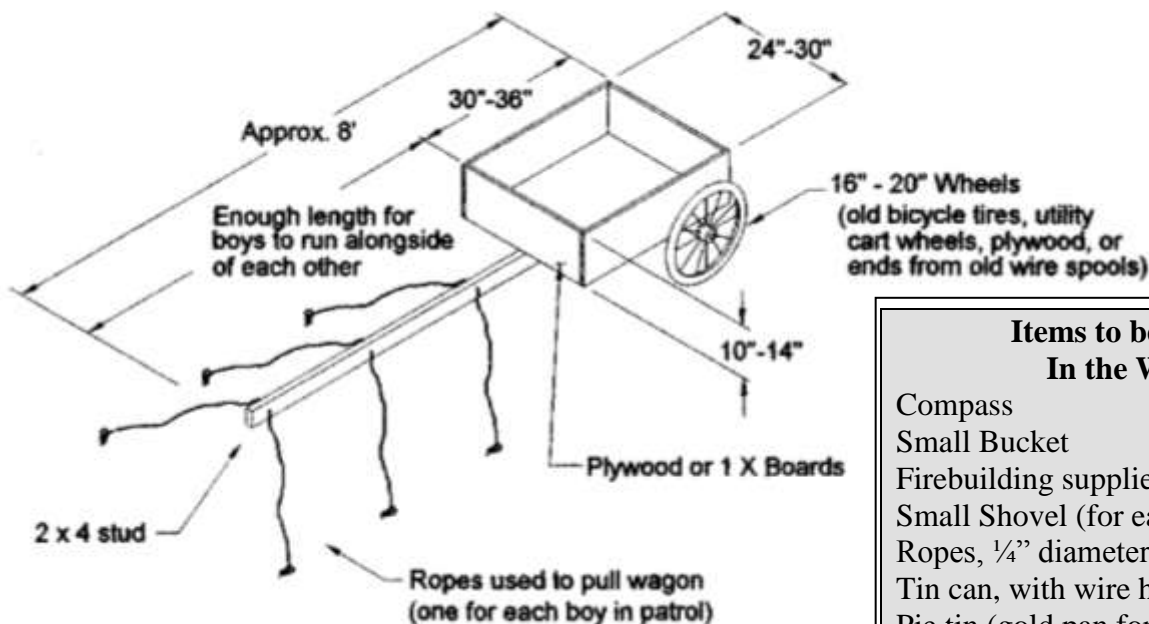
**NOTE: ALL TIMES AND ACTIVITIES ARE SUBJECT TO CHANGE. ANNOUNCEMENTS WILL BE MADE DURING THE DAY IF CHANGES OCCUR.**

# "GOLD RUSH" - WAGON RACE

**Saturday afternoon June 5, 2010. Appointed starting times begin at 1:15 p.m.  
MUST pre-register your "Wagon Party" Saturday morning (see schedule)**

- Each Wagon Party (patrol of 4-6 boys) has a covered wagon (fig.1 & fig. 2) that is used to carry all of the needed supplies as they "Head West" in search of their fortune.
- Each departing Wagon Party will be issued a Diary. This book will contain a map and compass bearings for their trek west.
- Each Wagon Party will have their departure time recorded in their diary as they head out on their quest. Using the map and their compass, the wagon party goes to each designated station and completes the Skills Activity at that station (i.e. firecraft, ropecraft, etc.). Upon completion of each skills activity the Wagon Party will be awarded a designated number of "Gold Nuggets". For incomplete work, less "Gold Nuggets" will be awarded. When the Wagon Party returns back to the Assessors Office (Start/Finish point) their returning time and how many "Gold Nuggets" they have in their gold poke will be recorded in their diary.
- For each "Gold Nugget" missing from a perfect score the wagon party will have two minutes added to their time. The Wagon Party with the shortest time to complete the course will be considered the one to have Struck it Rich (they win).

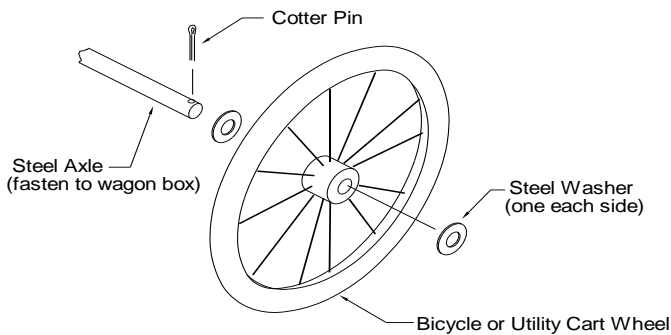
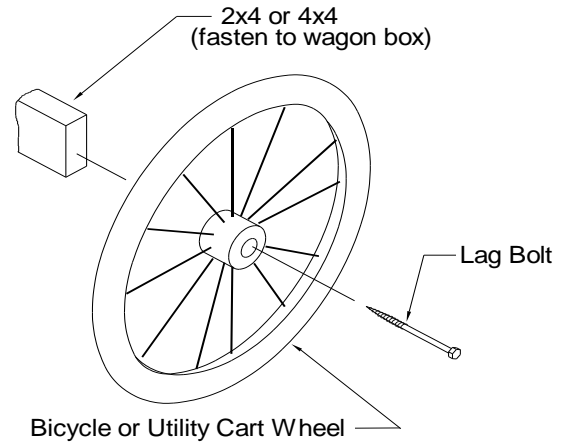
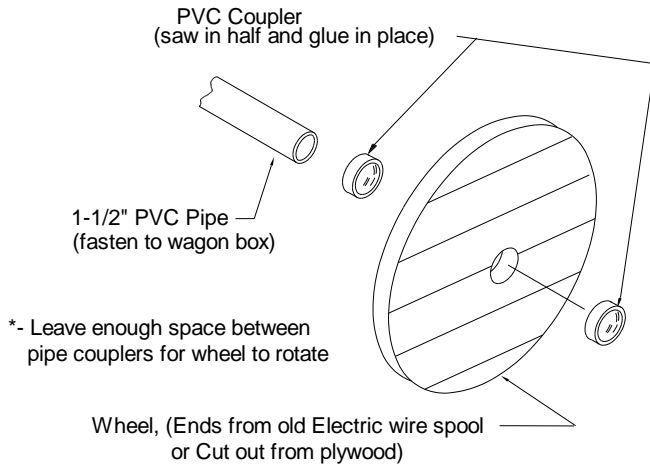
**Each Patrol will need to provide their own wagon for this activity. The following plans are only intended to give your patrols ideas! Use your creativity and whatever supplies that you have available when your patrols construct their wagons.**



## Items to be carried In the Wagon

Compass  
Small Bucket  
Firebuilding supplies (*tinder, kindling, fuel*)  
Small Shovel (for ea. Boy)(*garden trowel*)  
Ropes,  $\frac{1}{4}$ " diameter (*8 pieces 6 foot long*)  
Tin can, with wire handle (16 oz)  
Pie tin (gold pan for ea. Boy)  
Gold Poke (*small bag to store gold - provided*)

## Possible Axle/Wheel Connection - Fig. 2



**SPECIAL PRIZE TO BE AWARDED!!**  
**Honors will be given to the wagon party**  
**with the best looking, most authentic**  
**covered wagon.**

### Special Note to Commanders:

Remember, when helping your boys construct their wagon that you will need to be able to transport them to Pow Wow. Consideration should be given as to the size and possible disassembly in order to fit the wagon in with the rest of your camping supplies

### Questions about POW WOW?

Call or email: Wayne Farrand, District Director  
 4713 Western Hills Dr.  
 West Des Moines, IA 50165  
 Phone: 515/249-2947

or

Scott Schick, Programs Coordinator  
 201 E. Moore  
 Corydon, IA 50060  
 Phone: 641-872-2537

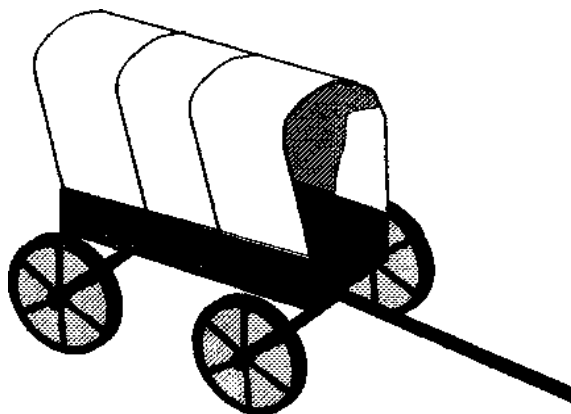
## Gold Rush – Wagon Race Rules:

- 1). Each Wagon Party must pre-register for the "Gold Rush" - Wagon Race. Wagon Race registration will be 9:30 - 10:00 a.m. on Saturday, June 5, 2010 at the Assessor's Office, (at the Council Fire Area). If necessary, it can be arranged for two patrols of the same Outpost to have separate starting times so that they will be able to share the same wagon. Outposts with three or more patrols probably need to have at least two wagons. (Please specify whether the wagon party is made up of Discovery Rangers or Adventure Rangers)
- 2). Wagon Parties consisting of both Discovery Rangers and Adventure Rangers must be entered into the Adventure Rangers competition, (see the Pow Wow Activity Coordinator for special circumstances). NO Ranger will be allowed to compete on more than ONE wagon party.
- 3). Each wagon party will be issued a specific starting time. No Wagon Party will be allowed onto the course before their specific starting time. At the specified starting time the clock will begin to run for the Wagon Party, whether they actually go onto the course or not. (if you're late you'll be burning daylight!!).
- 4). Wagon Parties will be allowed to participate without actually using a wagon, but they will still be required to carry all of the necessary supplies with them. They will also be docked 5 gold nuggets from their find.
- 5). All Skills Activity Stations must be completed in the order designated by the Wagon Party's diary. If the Wagon Party goes to a Skills Activity Station out of order they will be required to return to the previous station and then redirect themselves to the proper Skills Activity Station.
- 6). When arriving at a Skills Activity Station the wagon party must check in with the Gold Assessor in charge, prior to beginning the activity, in order to receive last minute instructions.
- 7). Items to be carried in the wagon:
  - Compass
  - Fire building supplies (tinder, kindling, fuel)
  - Small shovel (garden trowel), one for each boy
  - 8 pieces ¼" Rope, 6 feet long
  - Bucket
  - 16 oz. Tin can (with wire handle)
  - Pie tin, for ea. boy
  - Gold poke (small bag to hold "Gold Nuggets")

### SKILLS ACTIVITY STATIONS

*(Things to study before you come to Pow Wow most of the outdoor skills can be found in the Adventures of Camping Handbook)*

- Compass
- Height and Distance Estimation
- Firecraft
- Ranger Knowledge (code, pledge, etc)
- Bible Verses (John 3:16, Rev 3:20, 1 John 1:9, John 1:12, Romans 3:23, Romans 6:23)
- Lashing
- Animal Tracks
- Tree Identification





# Pioneering Crafts Competition

Boys can do these things in their Outpost campsite. Sign up at Headquarters for judges to come to your campsite

- Towers, Bridges, Chippewa kitchens, chairs...ANY lashing or pioneering project goes as long as it is done by BOYS ONLY (sorry commanders)
- Bring all of your own supplies (poles, ropes, etc)
- Projects will be judged by neatness, quality, complexity, creativity, number of different methods used to construct (not just lashing).
- All projects must be constructed in or near your campsite while at pow wow. **DO NOT** bring any pre-made projects.
- Judging will take place Sunday a.m. during activities time. **MUST** pre-register your Pioneering Craft Project at Headquarters prior to judging time so the that judges know to stop at your campsite to inspect your project.
- **MUST** have a commander present to supervise if using any hand tools
- **ALL** projects must be dismantled and properly disposed of before leaving the campgrounds
- Multiple projects from one Outpost WILL BE allowed. Get as many patrols or individual boys involved as you would like.



# Dessert Cooking Contest

Lets get things cooking!! Judging to take place Saturady evening (*see schedule*). Sign up at Headquarters so the judges can stop by your campsite.

ANYTHING goes, be creative in your preparations. Bake a pie or cake or whatever. You can enter as many items as you would like. **ALL contest desserts must be prepared AT POW WOW.**

# Campsite Entryway Competition

Just what the name implies...each Outpost will automatically be entered into this competition. Make it simple, make it elaborate...your choice. Judging will take place during Campsite inspection on Sunday a.m.

# Banner Contest

Each outpost can make one of these at home and bring it to Pow Wow. The banner should be tailored to this Pow Wow, identifying the outpost, year and relate it to the Gold Rush theme. Maximum size is 2 feet by 3 feet. Be original, colorful and decorative. Mount it on a pole (max. 8 ft.) or crosspiece and carry it to assemblies. Use canvas, leather, felt, vinyl, paint, markers, glue-ons or a combination or whatever.

# Outpost Spirit Award

Keep your boys excited during Pow Wow and working together. Judges will be watching for an outstanding group.

# Wagon Award

The outpost with the best looking, most authentic covered wagon brought for the wagon race will be recognized.

## **NEW THIS YEAR**

**We want to keep the Royal Ranger campsite areas as neat as possible, attractive and clean of weeds, trees and POISON IVY. In recent years, some sites have become overgrown and cluttered with old campcrafts and fallen trees. Sunstream has offered to mow areas they can access with mowing equipment. In order to do this, they will need equipment access to each camp site. It will therefore not be expected to have permanent fences, and will expect campcraft items to be dismantled and the wood stowed in the back or along a border out of the way. Any items left should be set aside so mowers can get around. Eventually we hope to have standardized fire rings and tables. But mowing is critical to controlling poison ivy growth. With all outposts helping out in this way, our campsites will be more attractive, easier to set up in, and safer to camp in. When ready to leave, remove any materials that cannot be mowed over or around. Sunstream staff have been so accommodating and blessed the RR ministry in many ways. We can help them make our Ranger campground a great place for boys to camp.**

## ***POW WOW RULES***

- WRITTEN PERMISSION:** Each Outpost should have a written permission slip for each boy, signed by the boy's parent or guardian and including any important medical information and emergency phone numbers for the boy. The Outpost Commander should keep these on file in the campsite. There is a sample in the packet.
- VISITORS:** There are no overnight facilities for visitors in the RR campsite area. Families and friends may visit Pow Wow during daily activities if they check in with a staff person. Friends and families may arrange camping in the RV area by contacting Sunstream Retreat Center. Only Royal Rangers and male leaders may participate in Pow Wow activities.
- VEHICLES:** Vehicles are allowed in areas adjacent to campsites for unloading and loading only. They must be moved to a designated parking area as soon as possible to clear area for others to unload. Vehicles should not return to the campsite area until after lunch on Sunday. An emergency vehicle will be near the Pow Wow headquarters. ***NO VEHICLE SHOULD ENTER THE ASSEMBLY AREA DURING THE COUNCIL FIRE SERVICE! PLEASE KEEP VEHICLES ON ROADWAYS OR THEY MAY GET STUCK!***
- GROUP CONTROL:** Outpost Commanders are responsible for the behavior, whereabouts, and discipline of their boys in the campsite and all times.
- COUNCIL FIRE PARTICIPATION:** ***ALL ROYAL RANGERS (MEN/BOYS)*** must attend the council fires. No one should be in the campsites during council fires.
- WOOD CUTTING:** Firewood can be gathered on the campgrounds. There is plenty of dead wood. Live trees should not be cut except for clearing a campsite.
- FIRST AID:** Each outpost should have a first aid kit in the campsite in a visible and convenient location.
- CAMPFIRES:** Each Outpost may have a properly prepared and maintained camp fire (according to The Adventures In Camping Handbook). A fire attendant must be present any time there is a campfire burning. Fire buckets should be located near the campfire. Campfires must be extinguished during evening assemblies.
- POWER EQUIPMENT:** Power equipment (chain saws, mowers, weed trimmers) are not allowed in campsites after opening registration. (Power tools are not necessary to maintain campsites; let's keep them safe for the boys!)
- GARBAGE:** Each campsite should provide a suitable garbage container. Garbage may be deposited in the designated area upon leaving.
- KNIVES AND AXES:** Only boys that have had special instruction should be allowed to use sharp tools in the campsite. Outpost Commanders should regulate this. Tool racks are recommended for each campsite to properly store tools. Sharp edges must be covered or protected while not in use.
- CAMPCRAFT:** Campcrafts should be lashed with twine or rope. Do not put nails in trees or campcraft items. Temporary campsite furniture and campcrafts may be brought or lashed while at Pow Wow and dismantled upon leaving. The Camp is not responsible for anything left in the campsite after the Pow Wow.
- CAMP BREAK-UP:** Outposts may begin loading after lunch on Sunday. Every Outpost should attend the final assembly.

## ***OTHER IMPORTANT INFORMATION***

**CAMPSITE ASSIGNMENTS:** Each Outpost should use its assigned campsite. If your Outpost does not have a campsite, one will be assigned upon registration. If your Outpost has missed more than two Pow Wows, your campsite may be reassigned; Please check for your campsite upon arriving and registering **PRIOR** to setting up camp.

**EQUIPMENT:** Each Outpost provides its own camping equipment: tents, lanterns, sleeping bags, cooking gear, food, water containers, ice, towels, toilet tissue, etc. Campsites are not modern, however good running water is nearby. Check the [Adventures in Camping Handbook](#) for ideas and necessary items.

**MEALS:** Each Outpost furnishes its own meals. Organize your time so that meals can fit into the schedule. It is recommended that boys do the cooking with supervision. Outposts may invite guests to meals if they desire (other rangers or staff).

**SCHEDULE:** The Pow Wow schedule will be adhered to as closely as possible. Outposts should be on time for assemblies and activities. Any schedule changes will be announced.

**LATRINES:** The Campground has outhouses at central locations. Outposts should instruct boys where these are. Teach boys to use the latrine and to be considerate of neighbors! We are camping.

**POW WOW HEADQUARTERS:** The headquarters cabin will be manned for registration, information, displays and emergencies.

**RAIN:** Yes, it sometimes rains during Pow Wow. Rain can dampen things but not the Ranger spirit. (Praise God in all things). If it rains, activities may be adjusted but we will remember our motto "READY". Campsite Awards will be judged according to the circumstances. Bring rain gear and protection.

**SPECIAL NOTE TO LEADERS:** Commanders will be requested to assist in activities if needed. Instructions and supplies will be provided.

**TRADING POST:** There will be an area designated for use by Outposts or individuals for a trading post to buy, sell or trade anything of interest to Rangers (i.e. campcrafts, camp gear, etc.). The Trading Post is informal and will be off limits during assembly times.

<p><b>POW WOW STORE:</b> There will be a store where snacks and other items can be purchased.</p>
---

**POW WOW PATCH:** Each person attending receives an embroidered patch to remember the occasion. Patches are collector's items and are often traded or sold at later Royal Ranger events.

**MAILINGS:** If you wish to be on the Royal Ranger Mailing List, send your name/address and email address to Wayne Farrand, District Commander, 4713 Western Hills Drive, West Des Moines, IA 50265 (email to: [durant31@mchsi.com](mailto:durant31@mchsi.com))

**PLEASE** let us know of any address changes.

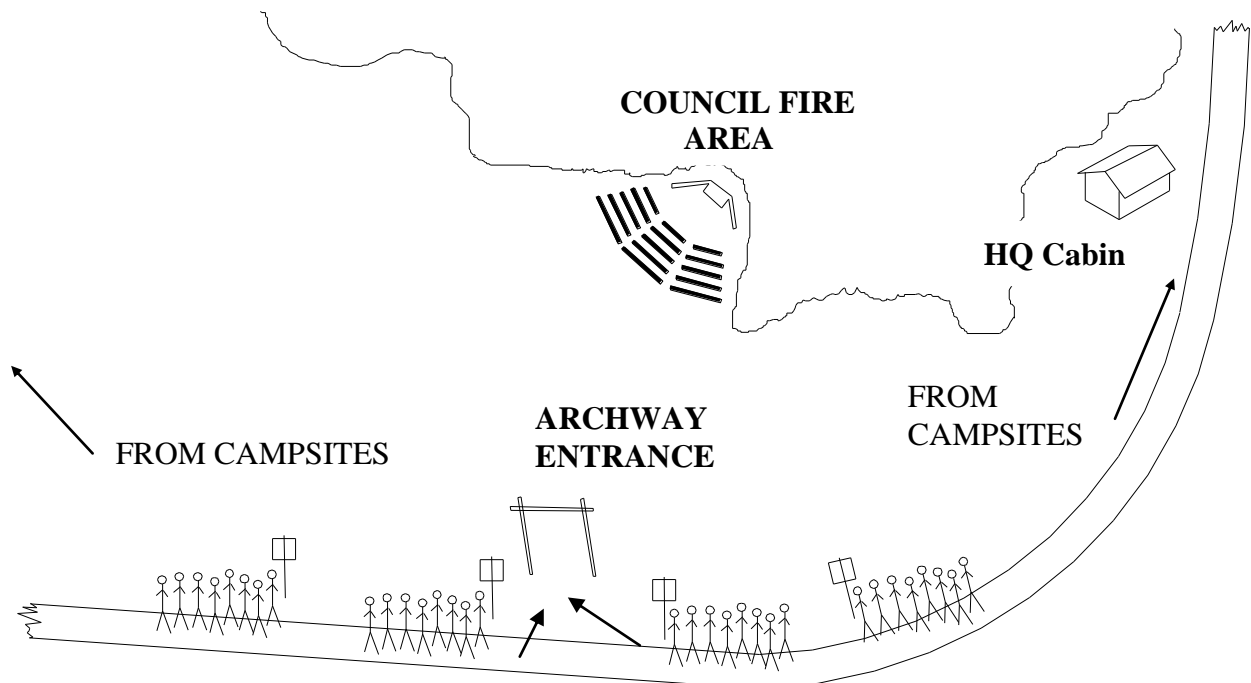
# **CAMPSITE AWARDS**

Each Outpost will have the opportunity to compete for a Campsite Award. The purpose of the Campsite Award is to provide incentive for each Outpost to work together for a safe and comfortable camp. Campsites will be inspected and scored according to the Campsite Award Inspection sheet. The Campsite Award Inspection includes an inspection of Outpost personnel at the Saturday evening Council Fire entrance. Outposts will be able to earn a Blue, Red or White campsite award streamer that can be attached to the outpost's flag

## **READ THIS TO PREPARE FOR A GOOD CAMPSITE AWARD INSPECTION:**

### **PERSONNEL INSPECTION** (Saturday, June 5, 2010, 8:30 p.m.)

- Outposts will be inspected as they arrive at the Council Fire on Saturday evening. Each Outpost should line up on the road behind the previous group to arrive to the right or the left of the archway entrance. You will be signaled when to proceed through the archway to the Council Fire.
- The Senior Guide should lead the Outpost through the Archway entrance carrying the outpost flag, with Commanders following at the rear. The Senior Guide should present his Outpost to the Judge at the Archway entrance. The Senior Guide should introduce his Outpost by number, Church, and City. He should also present the Campsite Award Inspection Sheet to the Judge (the top of the form should be filled out).
- You will be directed where to sit at the Council Fire Area.
- Uniforms will be part of the Personnel Inspection. Please attempt to have each member of your Outpost in some type of matching dress (i.e. everyone in RR t-shirts, caps, kahkis, awards vests, etc.) Even if you don't have matching uniforms you are encouraged to participate.



## CAMPSITE INSPECTION

(Sunday, June 6, 2010, during the activities, beginning at 10:00 a.m.)

- Every Outpost will have opportunity earn a Campsite Award for this Pow Wow
- No need to put everything away. We understand you are using your campsite. Don't fix it up just for the judges, do it for your outpost and before the last minute.
- See the Campsite judging sheet for details.



## RECOMMENDATIONS FOR CAMPSITE INSPECTION

1. Outpost should be currently chartered.
2. Campsites should be identified with the Outpost number, Church name and City.
3. Campsites should be laid out efficiently and with one area relating to another. (Tents away from campfires, chopping area sectioned off for safety and out of the way, kitchen area clean neat and sanitary, etc.)
4. Campsites should be clean with no trash (unnatural materials) lying about.
5. Garbage must be in a closed container. A garbage can with a lid is ideal, but the next best thing is a garbage bag that is closed or covered.
6. A "Dishwater Disposal area" should be built according to The Adventures in Camping Handbook.
7. First Aid equipment should be visible upon entering the campsite.
8. Fire buckets should be red or labeled. Placed within ten feet of the campfire. They may contain water or earth/sand. It is recommended that at least one fire bucket contain water (half full so a boy can carry it).
9. Some tools must be displayed in the campsite with safety in mind when doing so.
10. Fuels should be in properly marked containers and stored away from the fire.
11. Lashing on campcraft items should be properly done and should have been done or re-done during the current Pow Wow.
12. Tents should be spaced evenly in a line or some type of order, doors and windows arranged alike; gear inside orderly, sleeping bags rolled or unrolled, all alike.
13. Cooking gear in order. Food properly stored off of the ground and covered or in containers, inaccessible to varmints and insects.
14. Fire area properly arranged. Firewood stacked at a safe distance from fire.
15. Natural material is O.K.; mowing is not necessary.
16. Duty roster and menu posted.
17. Each outpost may erect a U.S. flag and/or a Royal Rangers Flag in their campsite. U.S. flags made of weather-resistant materials may be flown in the rain.

Should there be any questions on the above items, judging will be done on the basis of what is presented in The Adventures In Camping Handbook.

# CAMP INSPECTION SHEET

Outpost No. \_\_\_\_\_

Church \_\_\_\_\_ City \_\_\_\_\_

Does your Outpost have an up-to-date Charter?  Yes  No

Lack of a current Charter will limit Outpost Campsite award to White level.

Complete above portion and have ready to present at Saturday evening assembly

The purpose of the Camp inspection is to encourage safety and comfort. Lashed campcraft projects, latrine directions, etc, are encouraged for safety and comfort. Campsite awards will be based on the numbered items in the following personnel and campsite inspections.

**A White, Red, or Blue Campsite Award will be determined by the Total Points scored.**  
 BLUE = 31 points or more with no numbered categories blank;  
 RED = 20 to 30 points;  
 WHITE = 12 to 19 points

**I. Personnel inspection – check each box that applies**

**TOTAL CHECKS**

- |  |   |  |  |   |
|--|---|--|--|---|
| 1. <b>Presentation</b> at Saturday Council Fire Service            | <input type="checkbox"/> On Time                      | <input type="checkbox"/> Carrying Outpost Flag | <input type="checkbox"/> Good Group Control                | <input style="width: 50px; height: 30px;" type="checkbox"/> |
| 2. <b>Uniforms</b> (based on majority of boys at Saturday Service) | <input type="checkbox"/> Hats, caps or T-Shirts alike | <input type="checkbox"/> Khaki shirts          | <input type="checkbox"/> Awards Vest                       | <input style="width: 50px; height: 30px;" type="checkbox"/> |
| 3. <b>Participation</b>  | <input type="checkbox"/> Camped Fri. night            | <input type="checkbox"/> Camped Sat. night     | <input type="checkbox"/> Wagon Race, and/or other contests | <input style="width: 50px; height: 30px;" type="checkbox"/> |
| 4. <b>Leadership</b>   | <input type="checkbox"/> Adult leaders only           | <input type="checkbox"/> Boy Senior guide      | <input type="checkbox"/> Patrol Guides with Patrol flags   | <input style="width: 50px; height: 30px;" type="checkbox"/> |

**II. Campsite Inspection – check as many as apply**

- |                                   |  |  |  |   |
|-----------------------------------|--|--|--|---|
| 5. <b>Campsite Identification</b> | <input type="checkbox"/> I.D. Sign – O.P. # - City | <input type="checkbox"/> I.D. Displayed in a Walk thru entry | <input type="checkbox"/> Unique/attractive sign and entry              | <input style="width: 50px; height: 30px;" type="checkbox"/> |
| 6. <b>Camp Safety</b>             | <input type="checkbox"/> First Aid Kit visible     | <input type="checkbox"/> Fire Ring correct and useful        | <input type="checkbox"/> Fire buckets filled with earth, sand or water | <input style="width: 50px; height: 30px;" type="checkbox"/> |

7. **Cleanliness**  
 Closed garbage can or bag     No papers or plastic on ground     Wash stand for hand washing   

8. **Kitchen Area**  
 Proper dishwater disposal     Food stored safely     Cooking area neat/clean   

9. **Camp Tools** Displayed/ Protected (e.g. axe, hatchet, shovels, rake, saws, etc)  
 At least 3 tools displayed & clean     At least 3 tools, sharp edges protected     Tools on a Lashed tool rack   

10. **Woodcutting Area**  
 Roped off or Fenced in     Boys' toolcraft safety cards or list of boys qualified in a waterproof cover     Firewood stacked neatly   

11. **Displayed in Camp**  
 US and RR Flags     menu in water proof display     Duty roster in water proof display.   

12. **Sleeping Area**  
 Tents set up properly with ground cloths     2 or more tents, in alignment.     Tents open/uniform Neat inside   

13. **Campcraft** – 1 to 3 lashed campcraft items with 2 or more different lashes  
 One lashed item     Second item     Third item   

**ADDITIONS** for Judge's Discretion – for demonstrating outstanding attitudes, Workmanship, or originality on items 1 to 13 (0 to 3 points)   

**DEDUCTIONS** for rule violations (Rules No. 5, 8 & 9) -----DEDUCT   

**TOTAL CAMPSITE POINTS** →

**Campsite rating:**

31 points or over & no blanks in # 1-13 = BLUE		<input type="text"/>
20 to 30 points .....	= RED	<input type="text"/>
12 to 19 points .....	= WHITE	<input type="text"/>

*Outposts may use this form for their own coordination*

# IOWA ROYAL RANGER 2010 POW WOW

## June 4-6



**WHERE:** IOWA DISTRICT CAMPGROUND (Near Ogden)

**TIME:** WE WILL LEAVE THE CHURCH AT \_\_\_\_\_

**WHO:** ALL RANGERS, (ages 3<sup>rd</sup> grade and older).

**COST:** \_\_\_\_\_ (includes camp registration fee, meals, transportation)

**PERSONAL EQUIPMENT TO BRING:**

- SLEEPING BAG
- ROYAL RANGERS T-SHIRT
- MESS KIT (plate, bowl, cup, knife, fork, spoon)
- FLASHLIGHT
- HEAVY WORK SHOES OR BOOTS
- EXTRA CLOTHES AND JACKET (as necessary)

- UNIFORM
- RAINGEAR
- TOILETRIES
- INSECT REPELLENT
- TOWEL

\_\_\_\_\_

\_\_\_\_\_  
\_\_\_\_\_

**OPTIONAL EQUIPMENT:**

- SUNBURN LOTION
- PILLOW
- AIR MATTRESS/ FOAM PAD
- SUNGLASSES
- CAMERA AND FILM
- SPENDING MONEY

**WE WILL ARRIVE HOME ON Sunday JUNE 6<sup>th</sup> AT APPROXIMATELY \_\_\_\_\_ p.m.  
BOYS CAN BE PICKED-UP AT THE CHURCH.**

***DEADLINE TO REGISTER WILL BE \_\_\_\_\_***

If You Have Any Question Contact \_\_\_\_\_

\*\*\*\*\*DETACH AND RETURN TO OUTPOST COMMANDER\*\*\*\*\*

**PERMISSION SLIP ROYAL RANGERS OUTPOST \_\_\_\_\_**

\_\_\_\_\_ has my permission to participate in the activities at the Iowa District Royal Ranger Pow Wow on June 4-6<sup>th</sup>, 2010. Should He require any emergency medical treatment you have my approval to administer treatment as required.

\_\_\_\_\_ (parent or guardian)

\_\_\_\_\_ (phone)

\_\_\_\_\_ (date)

Please note any special instructions (medical, allergies, etc.)

# Iowa RANGER News - May, 2010 Edition

## **New RR Leaders Manuals** – The new manuals are available!!!!

All revised and updated to current curriculum and awards and methods. This is the new manual for all leaders training.

Don't order from GPH or the ranger on-line Store. Contact me. I received a 20% discount while at National RR Council in March. Take advantage of this. Every leader needs one of these! This is a great deal!! Available as long as 40 lasts. Let me know. Cost is \$23.60 You can pay postage from me to you or I CAN BRING YOURS TO Pow Wow, if you send me a check. Make checks to Iowa Ministry Network – Royal Rangers.

## **WORK DAY AT SUNSTREAM** – getting ready for Pow Wow – MAY 22

There's lots to be done to make this Pow Wow a great one. We need lots of volunteers this day. Schedule it!

## **RR Fall Leaders Conference is October 15-16**

This is a great time for fellowship – get to know other leaders in the state. Last one was very special. This one will be different. We're looking at the new training. Ranger Basics has been revised. And the next step, RANGER ESSENTIALS is new to everyone. We'll have one or both of these and other neat things. Being a Ranger leader is special – it's a real fellowship of brothers. Schedule the dates.

## **Memorial Day camping at Sunstream – Family Camping – May 27 – 31. .**

You'll want to take a look at the special Sunstream camps for families on Memorial Day and Labor Day weekends. Share Sunstream's facilities with your family. I plan on being there. Info at: [www.sunstream.org/Camping Experience 2010 Flyer.pdf](http://www.sunstream.org/Camping Experience 2010 Flyer.pdf)  
And: [www.sunstream.org/Camping Experience brochure 2010.pdf](http://www.sunstream.org/Camping Experience brochure 2010.pdf)

**FCF Trace is September 10-11.** This is the same weekend as Sportsman's Camp. If you're not in FCF, register for Sportsman's Camp. FCF Members can come to 2010 Trace. We plan to have a good time sharing with men and boys not in Rangers or FCF. At this time we are planning to provide black powder training for sportsman' camp as well as new FCF members. The Frontier Adventure for 2010 will also be this weekend for new FCF members. What a great opportunity.

See the Sportsman's Camp brochure at:

[www.sunstream.org/Sportsman Hunting Camp 2010 Brochure.pdf](http://www.sunstream.org/Sportsman Hunting Camp 2010 Brochure.pdf)

And the flyer at: [www.sunstream.org/Sportsman Hunting Camp 2010 Flyer.pdf](http://www.sunstream.org/Sportsman Hunting Camp 2010 Flyer.pdf)

Wayne Farrand, District Director  
Iowa Royal Rangers

email: [durant31@mchsi.com](mailto:durant31@mchsi.com)  
Ph: 515/249-2947

# Canoe Outing, 2010

The National Geographic Society lists the valley of the Upper Iowa River in Northeast Iowa, as one of the most scenic canyons in North America.

Some Iowa FCF members are planning a canoe outing June 17 - 19 on the Upper Iowa. They are making this open to any Royal Ranger Commander and his family/Outpost. This is a Dutch Treat project, - no registration fee. Each adult is responsible to his group as to food, clothing, shelter, when to come, when to leave, where to put in, where to take out, etc. This could be a summer highlight.

To help you with these decisions there is a mile by mile description available from: Northeast Iowa R.C. & D. Phone: [563-864-7112](tel:563-864-7112). This guide which R.C. & D will send you for \$3.50 is full of information about nearby historical and scientific points of interest. Tributaries offer excellent trout fishing. You might also get info on the internet – google “Iowa canoe trips” or “upper iowa canoeing”.

We will be checking out canoe availability and if you contact us that you would like to go, we will get you updates about where we will be on the dates, etc.

We hope many will plan to join us!

Miles Brewer  
[mcfbrewer@gmail.com](mailto:mcfbrewer@gmail.com)  
[319-524-6652](tel:319-524-6652)